

CS13 - Olympian Plus Plug-In System Coalescing exhaust silencers

- Port size: 1/4" ... 3/4" (ISO G/PTF)
- Easily replaceable cartridge element
- Removal of oil mist from exhaust air provides cleaner work environment
- Snap-on liquid sump with manual drain to collect coalesced oil
- Assists in complying with Noise and COSHH regulations
- Rugged, corrosion resistant construction



Technical features

Medium:

Compressed air only

Operating pressure:

0 ... 6 bar (0 ... 87 psi)

Residual oil:

< 0,1 mg/m³ (1 bar 20°C)

Noise reduction:

As low as 69 dBa (dependant on application)

Port sizes:

1/4", 3/8", 1/2" or 3/4"

Ambient temperature:

–20° ... +50°C (0° ... 122°F)

Air supply must be dry enough to avoid ice formation at temperatures below +2°C (+35°F).

Materials:

Body and Yoke: Zinc alloy
Cage: Aluminium
Element: Composite materials
Bowl: PE
Elastomers: NBR

Technical data, standard models

Symbol	Port size	Replacement element	Weight (kg)	Model
	G1/4	3236-01	1,35	CS13-264-10GG
	G3/8	3236-01	1,33	CS13-364-10GG
	G1/2	3236-01	1,30	CS13-464-10GG
	G3/4	3236-01	1,66	CS13-664-10GG
	Without yoke	3236-01	0,89	CS13-000-0000

Option selector

Port size	Substitute
1/4	2
3/8	3
1/2	4
3/4	6
Yoke	Substitute
With	1
Without	0

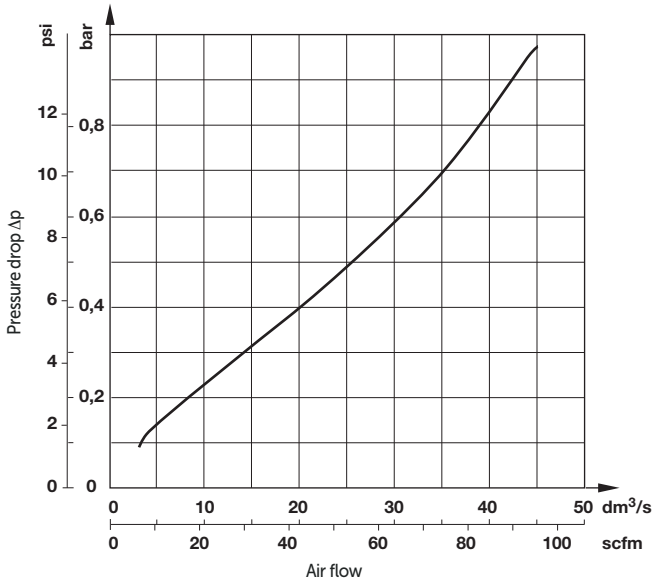
CS13-★64-★0★★

Thread form	Substitute
PTF	AA
ISO G parallel	GG

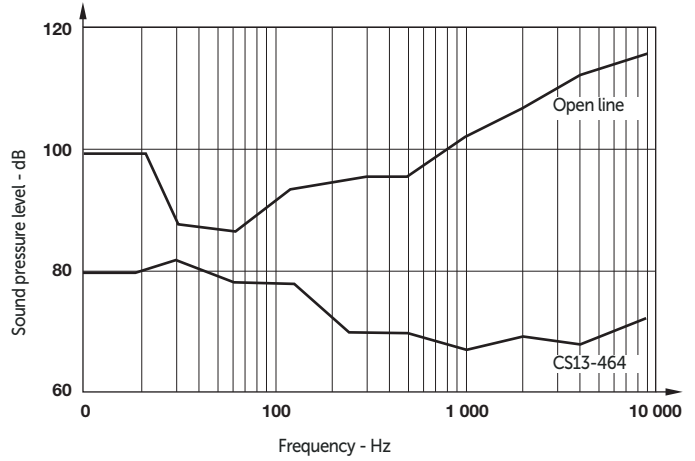
Typical performance characteristics

Flow characteristics

Model: CS13-464



Silencer compared with open line



Accessories

	Models with G-thread Single yoke	Double yoke	End connector kit	Rear entry bracket kit
Thread				
G1/4	Y64A-2GA-N1N	Y64A-2GA-N2N	—	—
G3/8	Y64A-3GA-N1N	Y64A-3GA-N2N	—	—
G1/2	Y64A-4GA-N1N	Y64A-4GA-N2N	74505-50	—
G3/4	Y64A-6GA-N1N*	Y64A-6GA-N2N*	74505-53	18-026-981

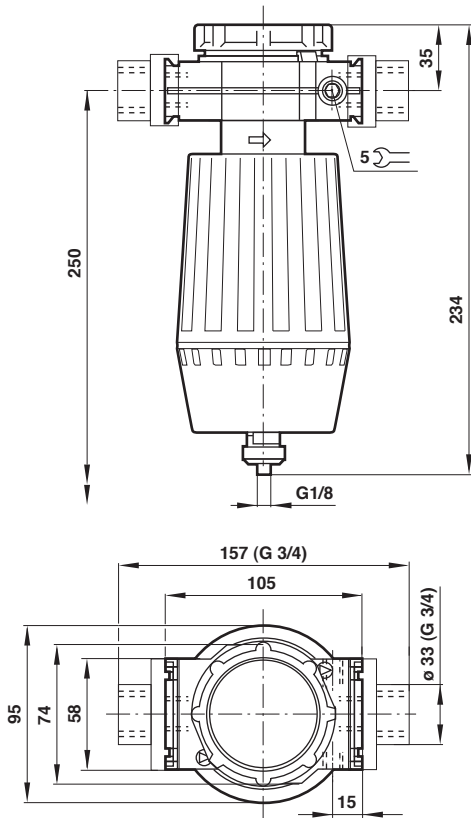
*These yokes are supplied with two end connector kits as standard.

Bracket mounting	Nut	Yoke connector kit
74504-50	74502-89	74503-51

Service kit

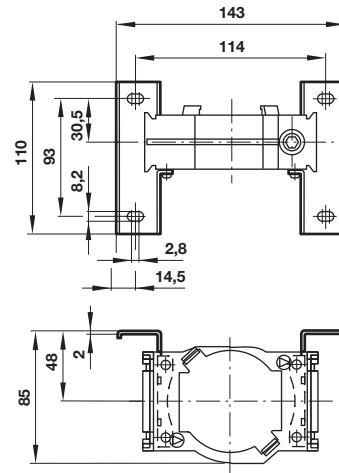
Service kit
CS13RK

Basic dimensions

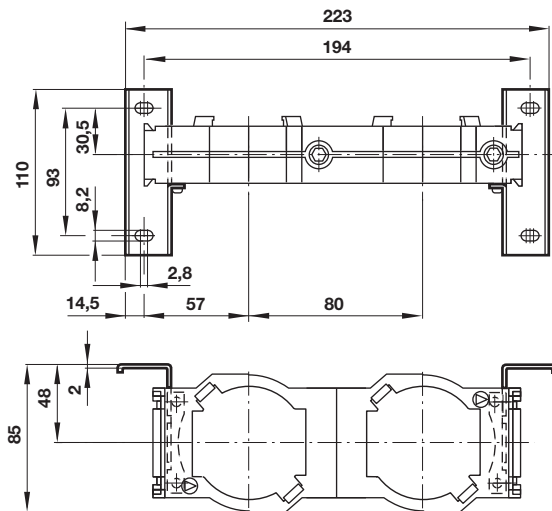


Single yoke with bracket mounting

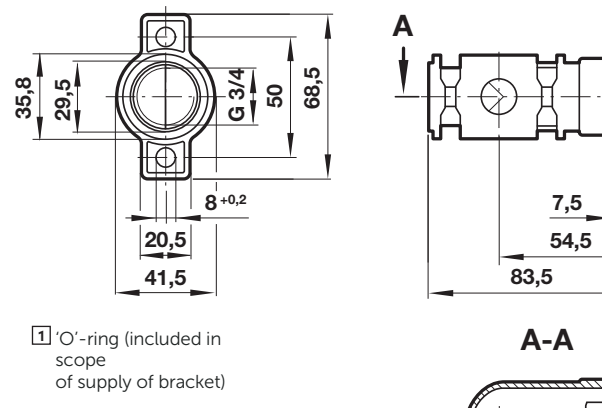
Dimensions in mm
Projection/First angle



Double yoke with bracket mounting



Rear entry bracket 18-026-981



1 'O'-ring (included in scope of supply of bracket)

A-A



Warning

These products are intended for use in industrial compressed air systems only. Do not use these products where pressures and temperatures can exceed those listed under »Technical features/ data«.

Before using these products with fluids other than those specified, for non-industrial applications, life-support systems or other applications not within published specifications, consult Norgren.

Through misuse, age, or malfunction, components used in fluid power systems can fail in various modes.

The system designer is warned to consider the failure modes of all component parts used in fluid power systems and to provide adequate safeguards to prevent personal injury or damage to equipment in the event of such failure.

System designers must provide a warning to end users in the system instructional manual if protection against a failure mode cannot be adequately provided.

System designers and end users are cautioned to review specific warnings found in instruction sheets packed and shipped with these products.